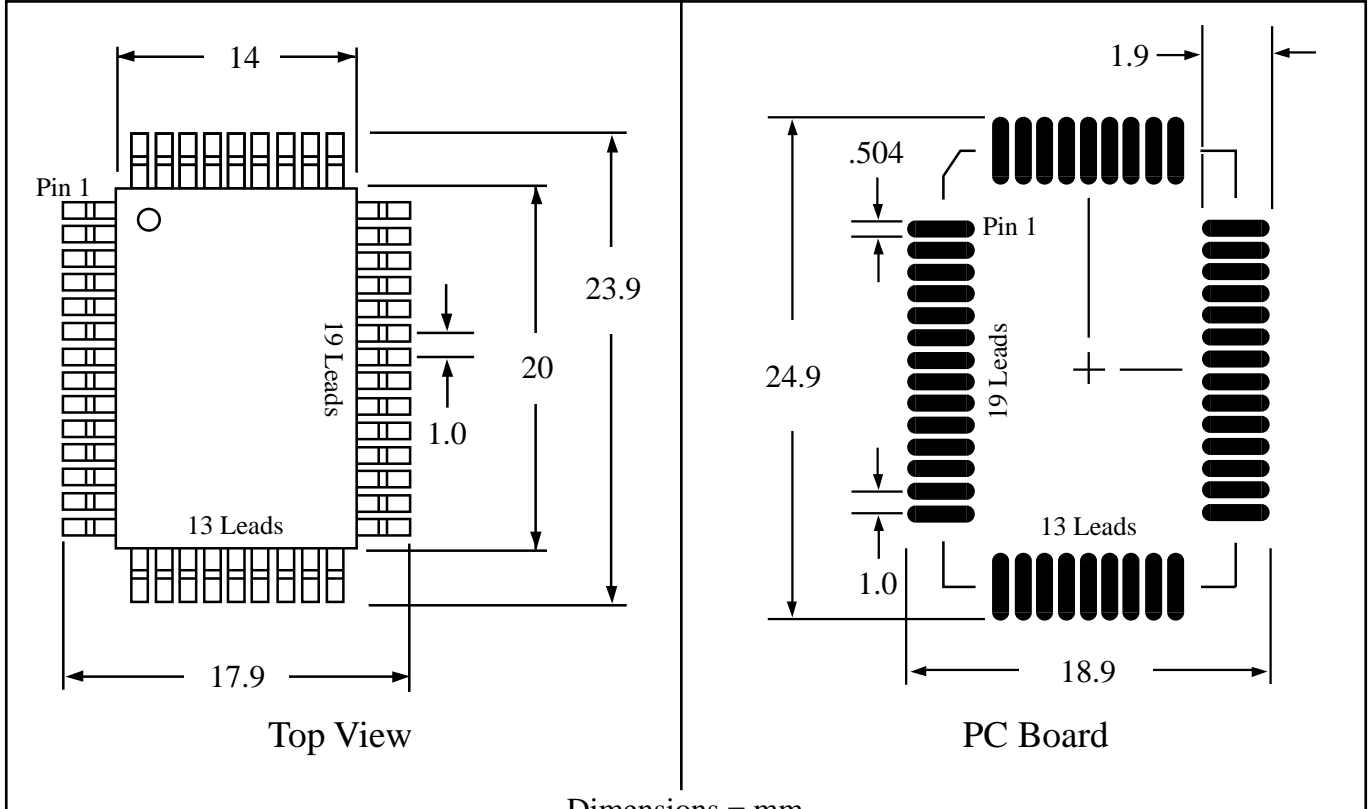


Part # **QFP64T40-3.9**
 Leads **64** Pitch **1.0mm**
 Body Size **14mm x 2.0mm**

TopLineTM
 Tel 1-714-898-3830
 info@toplinedummy.com

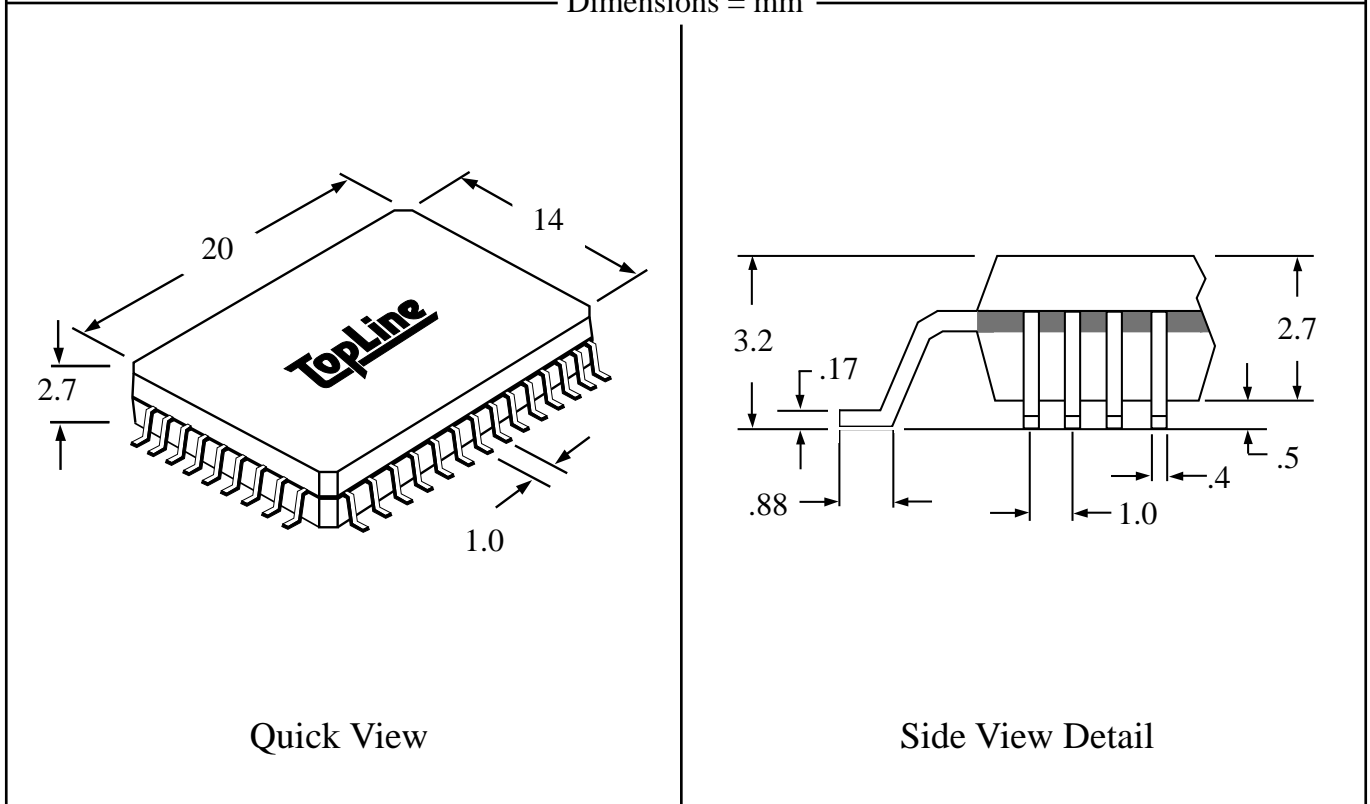
Dwg Q64T139.pdf



Top View

PC Board

Dimensions = mm



Quick View

Side View Detail