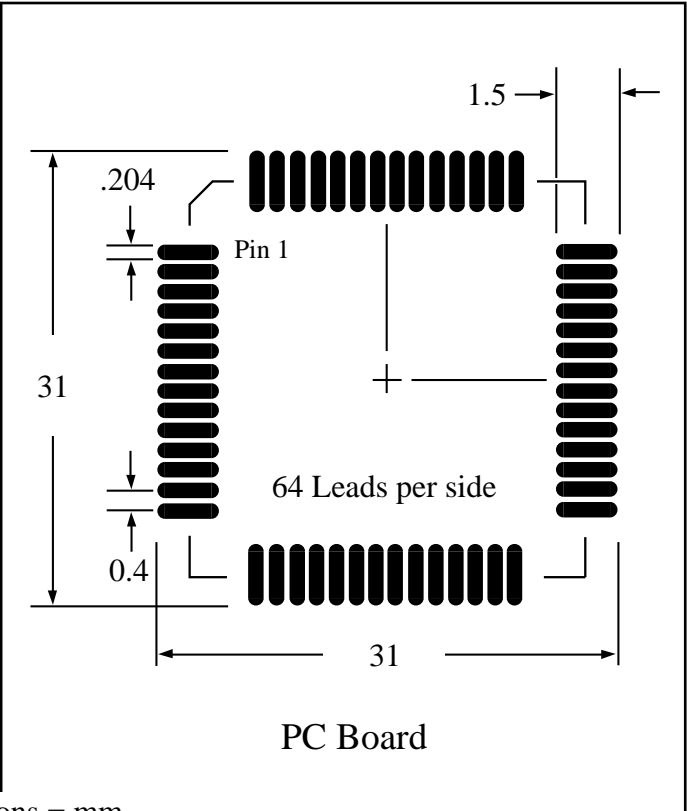
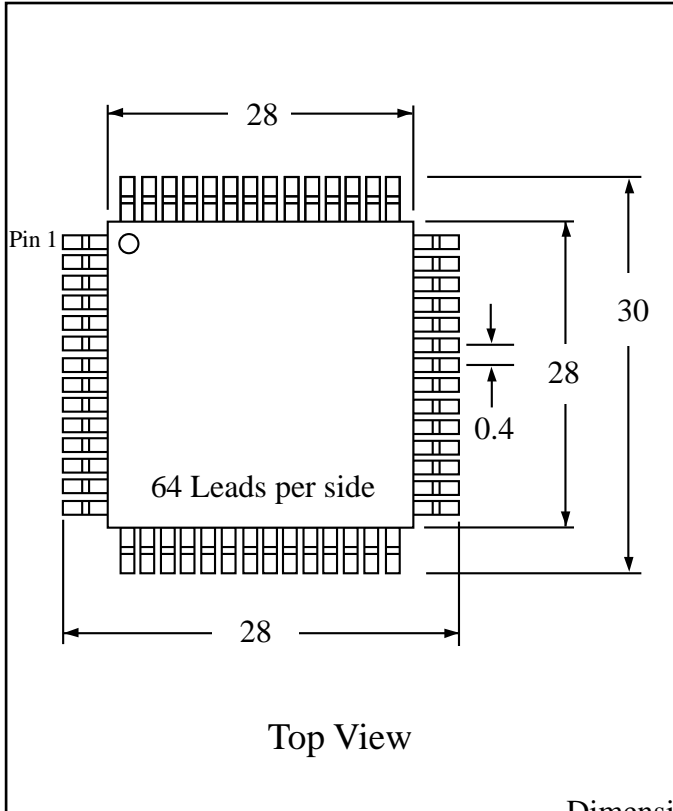


Part # **LQFP256T15.7**  
 Leads **256** Pitch **0.4mm**  
 Body Size **28mm SQ**

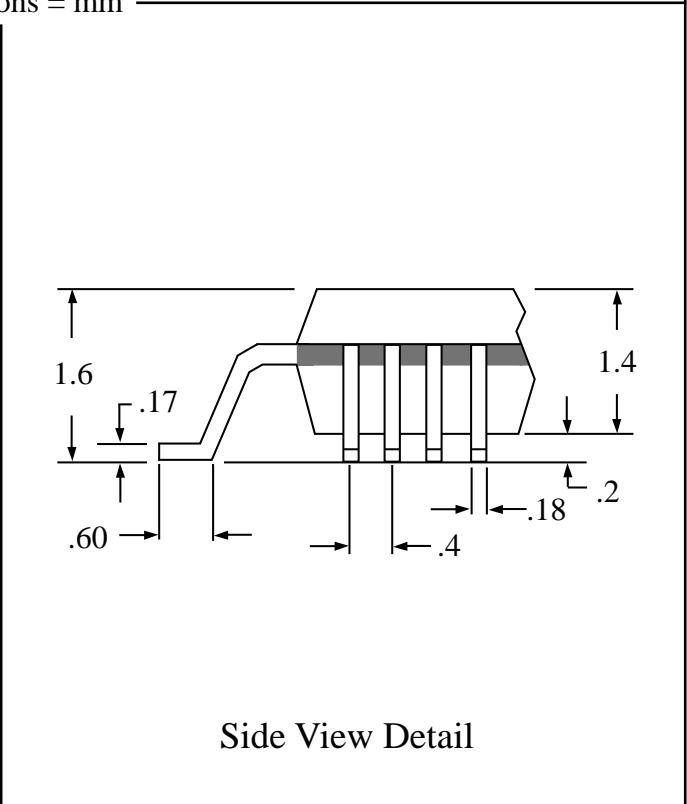
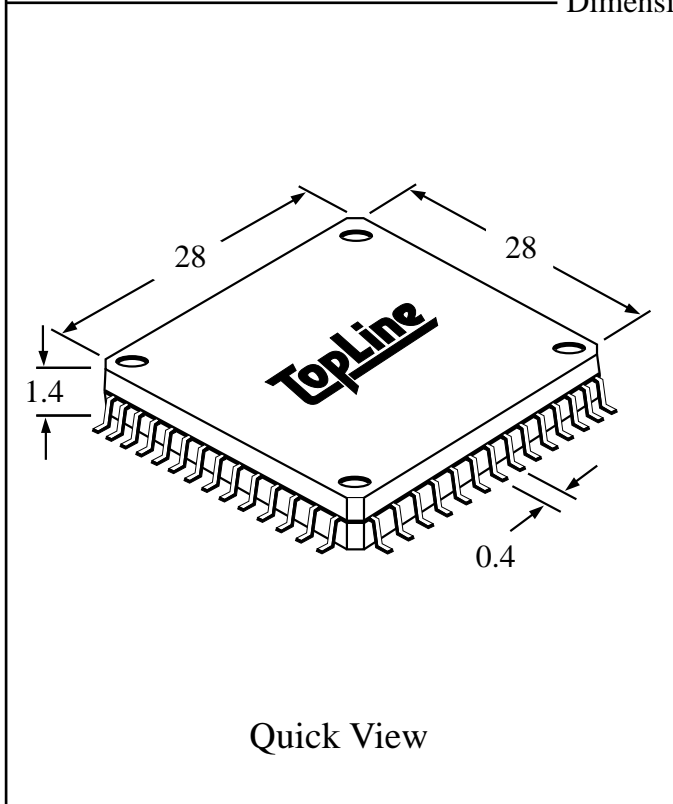
Available RoHS Pb-Free

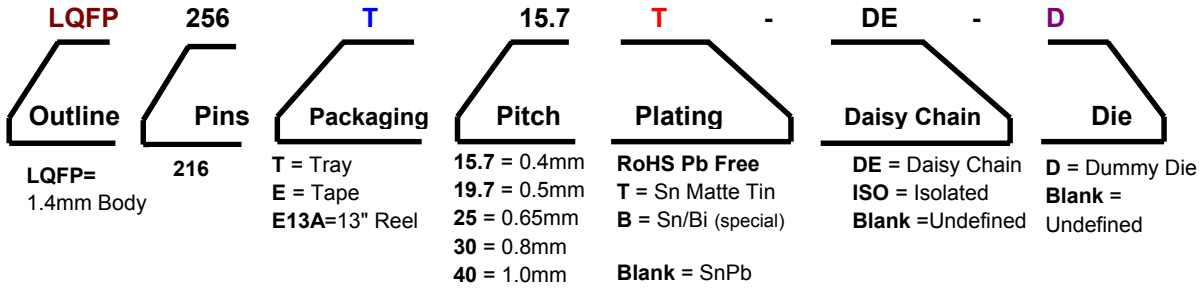
**TopLine**<sup>TM</sup>

Tel 1-800-776-9888  
 info@topline.tv



Dimensions = mm





### Ordering Steps:

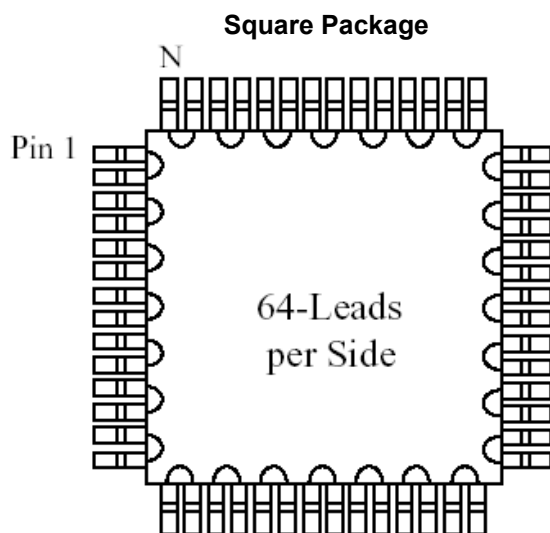
- Step 1: Select outline body thickness LQFP (1.4mm).
- Step 2: Choose packaging. Tray is standard. Tape and Reel is available.
- Step 3: Select plating requirements. RoHS Pb-Free or SnPb
- Step 4: Select options according to your application. See chart below.

Part Number Packaged in Tray (Standard)	Options				Applications					
	Plating	Daisy Chain	Dummy Die	Isolated Pins	Mounting Practice	Rework Solder Practice	Reflow Temperature Profiling	Continuity Test	Life Cycle Test	S.I.R. Test
LQFP256T15.7	SnPb	No	No	No	x	x				
LQFP256T15.7T	Pb-Free	No	No	No	x	x				
LQFP256T15.7-DE-D	SnPb	Yes	Yes	No	x	x	x	x	x	
LQFP256T15.7T-DE-D	Pb-Free	Yes	Yes	No	x	x	x	x	x	
LQFP256T15.7-ISO	SnPb	No	No	Yes	x	x	x			x
LQFP256T15.7T-ISO	Pb-Free	No	No	Yes	x	x	x			x

Part Number Packaged in Tape and Reel	Options				Applications					
	Plating	Daisy Chain	Dummy Die	Isolated Pins	Mounting Practice	Rework Solder Practice	Reflow Temperature Profiling	Continuity Test	Life Cycle Test	S.I.R. Test
LQFP256E13A15.7	SnPb	No	No	No	x	x				
LQFP256E13A15.7T	Pb-Free	No	No	No	x	x				
LQFP256E13A15.7-DE-D	SnPb	Yes	Yes	No	x	x	x	x	x	
LQFP256E13A15.7T-DE-D	Pb-Free	Yes	Yes	No	x	x	x	x	x	
LQFP256E13A15.7-ISO	SnPb	No	No	Yes	x	x	x			x
LQFP256E13A15.7T-ISO	Pb-Free	No	No	Yes	x	x	x			x

Visit [www.TopLine.tv](http://www.TopLine.tv) or email [info@TopLine.tv](mailto:info@TopLine.tv) for applications assistance.

### Daisy Chain LQFP256 and QFP256



Not to Scale

### Daisy Chain Net List LQFP256 and QFP256

Net List		Net List		Net List		Net List		Net List	
From Pin	To Pin	From Pin	To Pin	From Pin	To Pin	From Pin	To Pin	From Pin	To Pin
1	2	53	54	105	106	157	158	209	210
3	4	55	56	107	108	159	160	211	212
5	6	57	58	109	110	161	162	213	214
7	8	59	60	111	112	163	164	215	216
9	10	61	62	113	114	165	166	217	218
11	12	63	64	115	116	167	168	219	220
13	14	65	66	117	118	169	170	221	222
15	16	67	68	119	120	171	172	223	224
17	18	69	70	121	122	173	174	225	226
19	20	71	72	123	124	175	176	227	228
21	22	73	74	125	126	177	178	229	230
23	24	75	76	127	128	179	180	231	232
25	26	77	78	129	130	181	182	233	234
27	28	79	80	131	132	183	184	235	236
29	30	81	82	133	134	185	186	237	238
31	32	83	84	135	136	187	188	239	240
33	34	85	86	137	138	189	190	241	242
35	36	87	88	139	140	191	192	243	244
37	38	89	90	141	142	193	194	245	246
39	40	91	92	143	144	195	196	247	248
41	42	93	94	145	146	197	198	249	250
43	44	95	96	147	148	199	200	251	252
45	46	97	98	149	150	201	202	253	254
47	48	99	100	151	152	203	204	255	256
49	50	101	102	153	154	205	206		
51	52	103	104	155	156	207	208		

Visit [www.TopLine.tv](http://www.TopLine.tv) or email [info@TopLine.tv](mailto:info@TopLine.tv) for applications assistance.